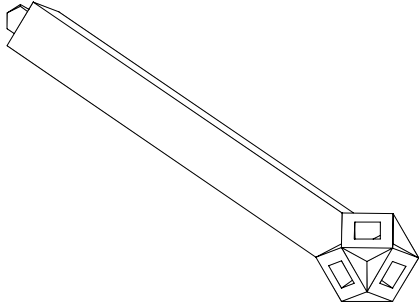


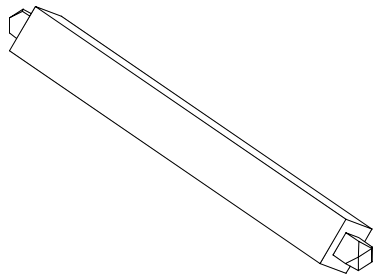
INSTRUCTIONS FOR USE **GOGIX**

1. The toy consists of two basic types of elements:

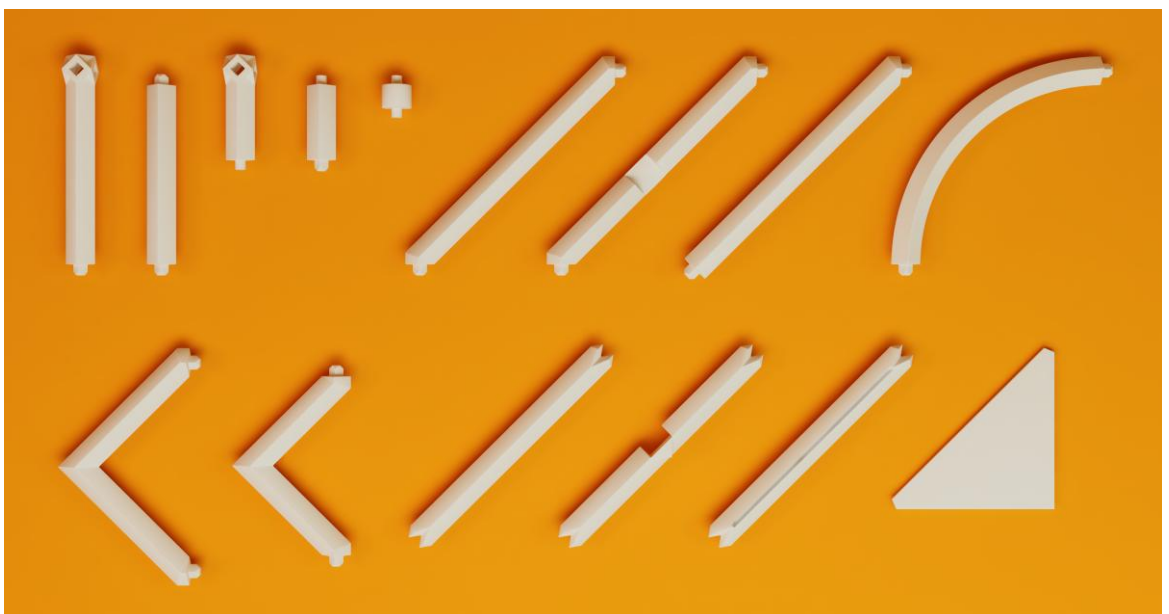
A – pole with assembly head,



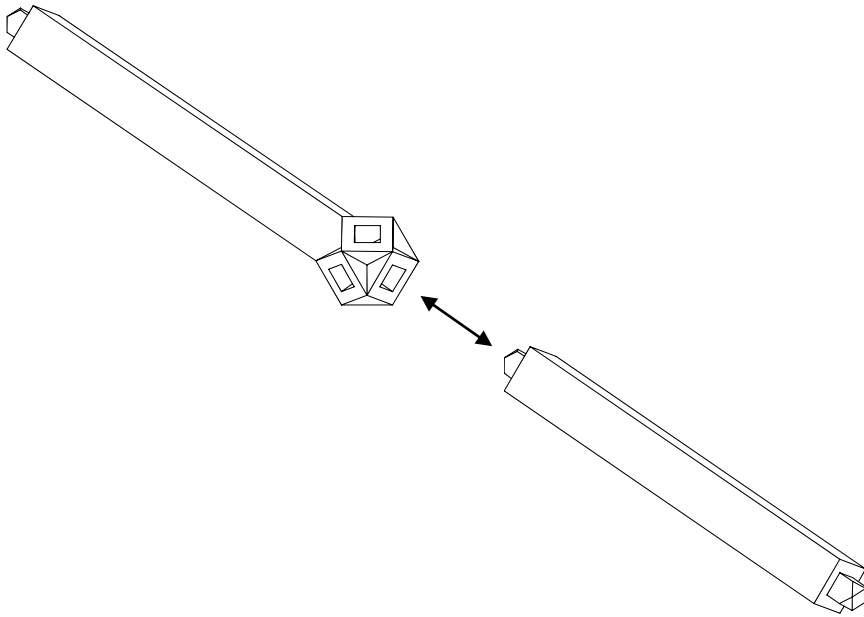
B – pole without assembly head.



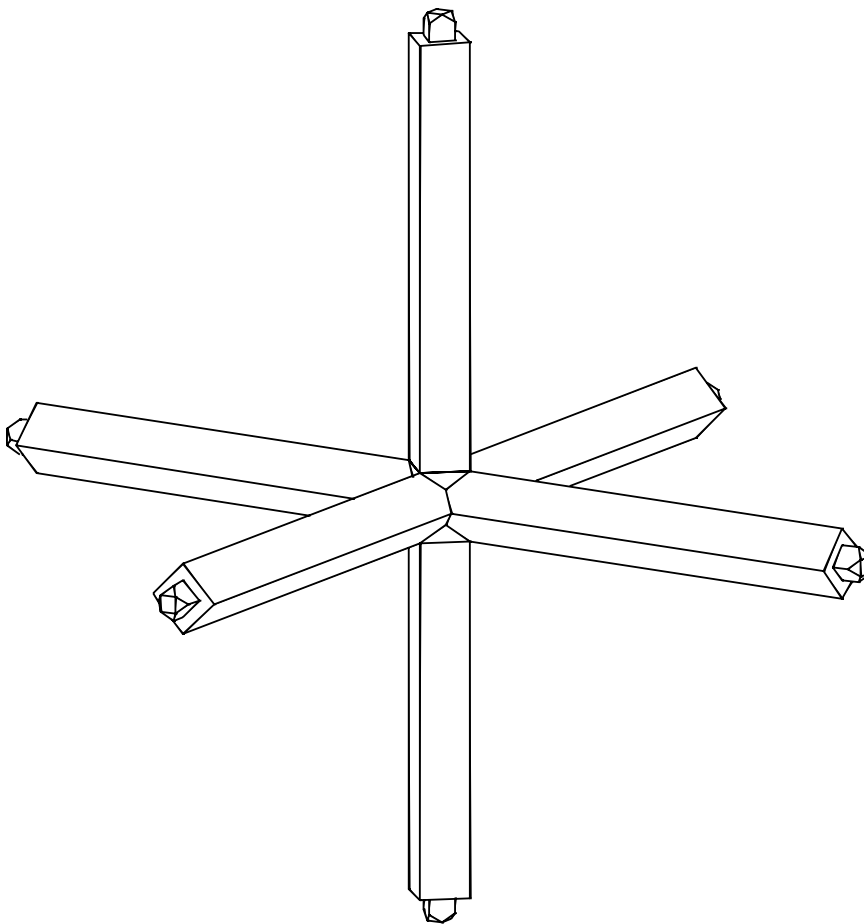
In addition to both main parts types: rotating elements with torn, diagonal elements, quarter-rounded elements and fillings.



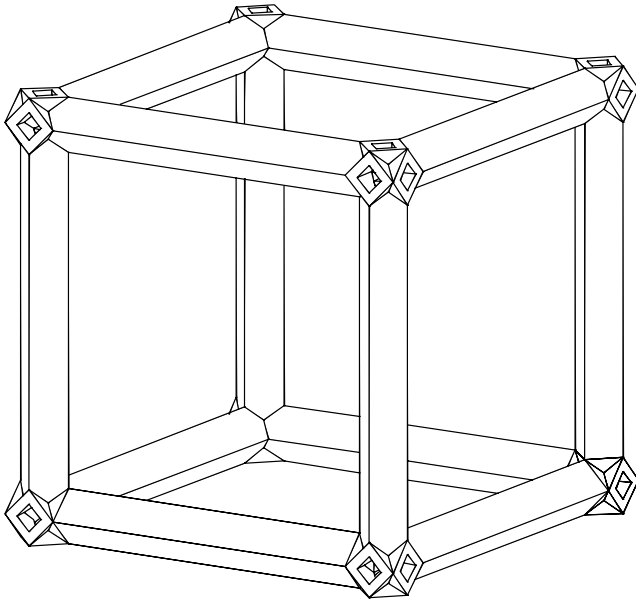
2. The thorn of pole element has to be set into the slot of puzzle head of other element in such a way that edges of both elements are aligned.



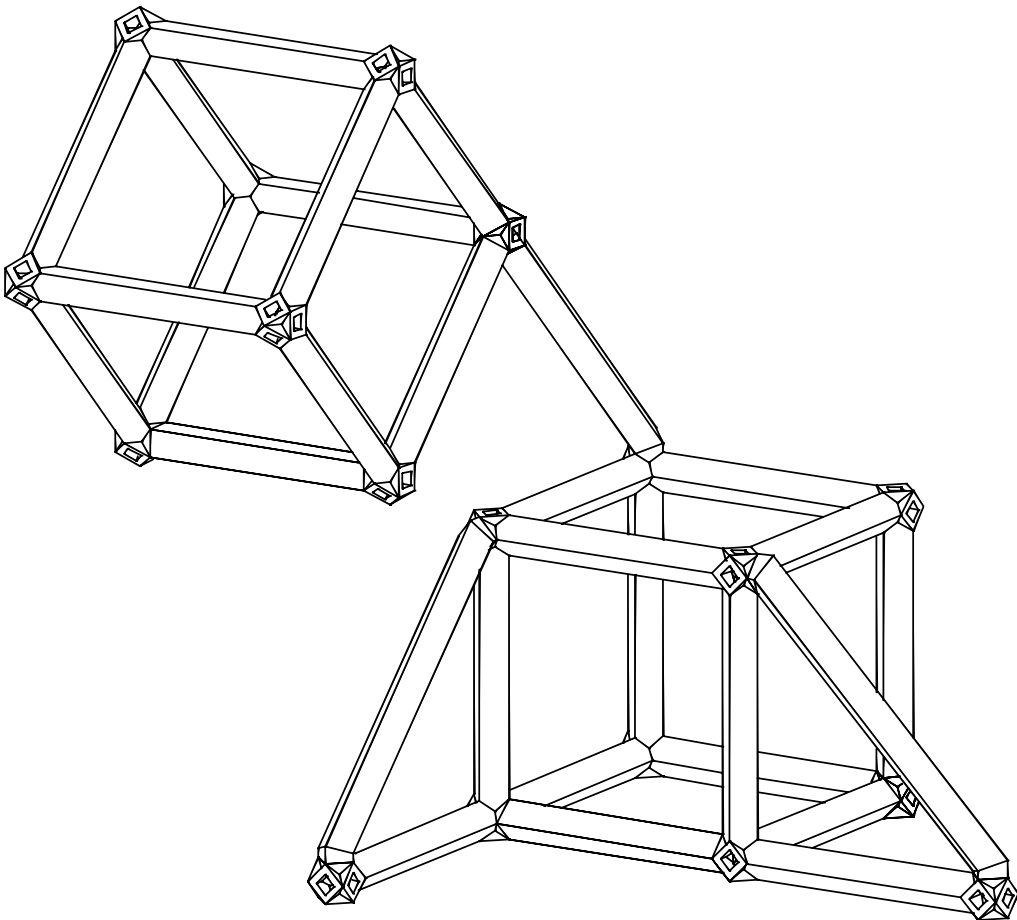
3. Thorn of pole element may be inserted into the puzzle head in five orthogonal directions.



4. By inserting into slots, the construction assemblies may be achieved in orthogonal directions

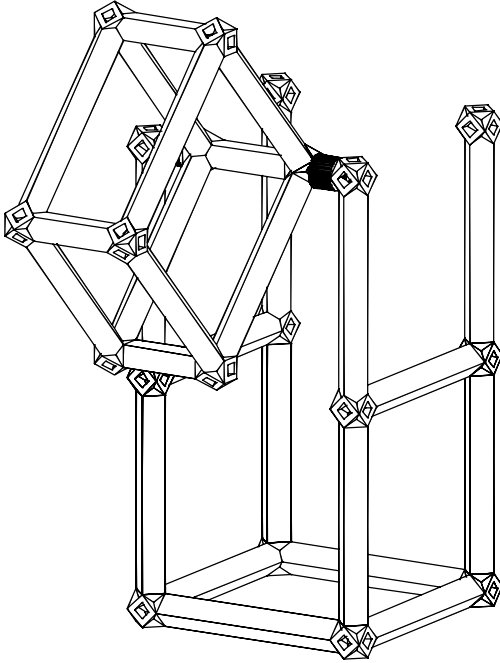


or by 45 degrees angles

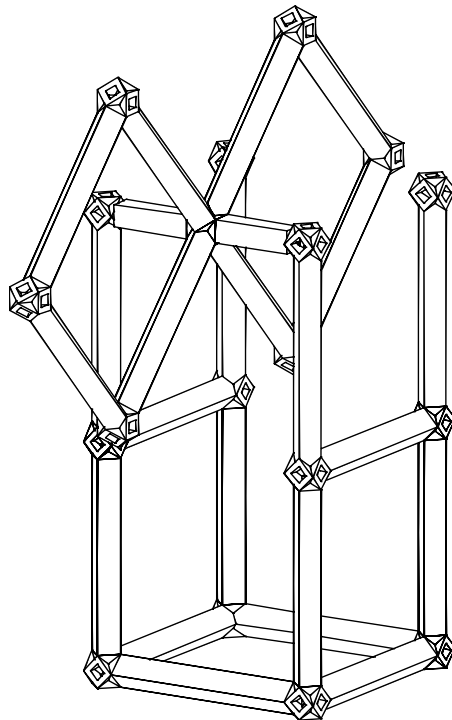


5. Length of main elements is 50 mm. Shortened elements have half of that size (25 mm) and may be inserted into basic raster in two different ways:

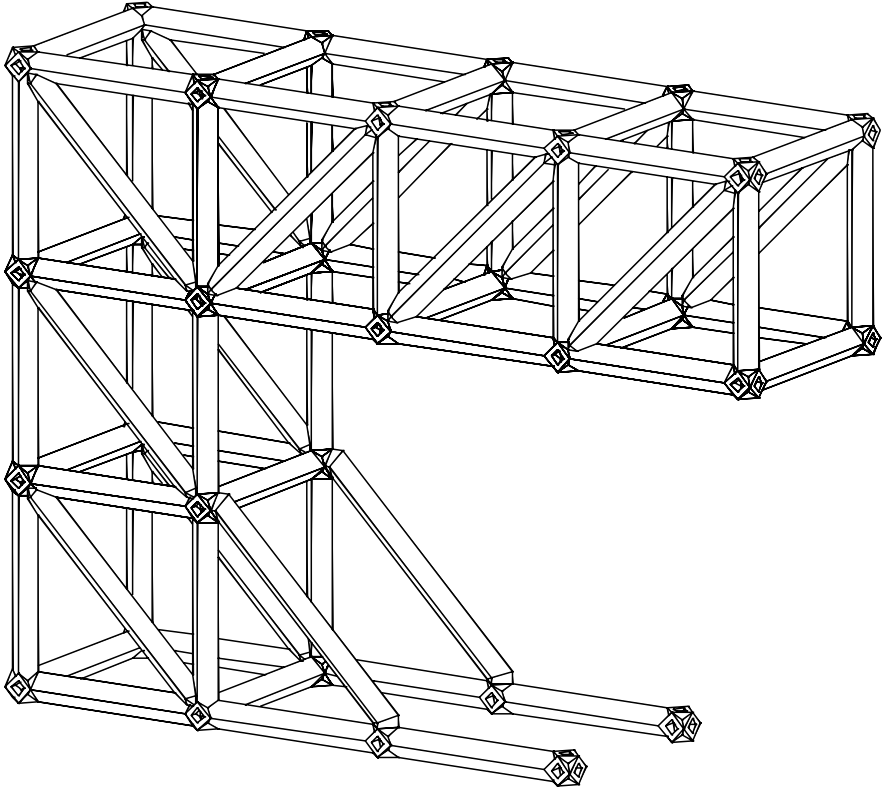
a) as a construction in 25 mm raster,



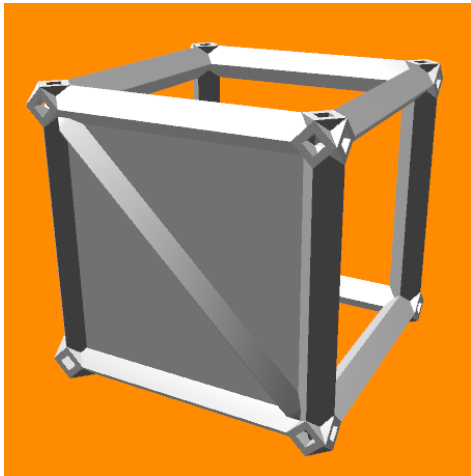
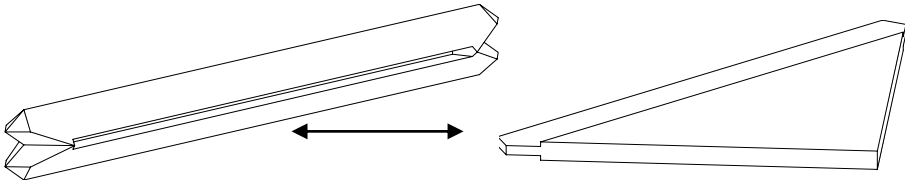
b) as a plain construction



6. To enhance the stability or rigidity of the construction, the additional diagonal poles are inserted on the inner or outer side.



7. If triangle fillings are inserted into inner diagonal element, closed surfaces may be gained.



8. Be creative...



These cases are examples only and may be our try to start-up your creativity

9. **DISASSEMBLY IS EASY!**

Elements are easy to disassemble. There is no need to draw them out from each other – just simply "break" the construction in your fist or lean them onto one direction. We suggest that first diagonal parts and then orthogonal parts are collected and set to a cartoon box for storage and later use.

Manufacturer: **GOGIUS d.o.o., Cesta na Roglo 43, Zreče, Slovenia**



RECOMMENDED AGE GROUP: 5 – 99 YEARS

In each package there are 200 different parts.
The number of separate types of parts is coincidental.



WARNING! THIS TOY IS NOT SUITABLE FOR CHILDREN UNDER 3 YEARS OF AGE! CONTAINS SMALL PARTS. CHOKING HAZARDS!



WARNINGS!

Please read these instructions carefully and keep them for future reference!

It is not allowed to leave the children unattended at play with the toy. Small children cannot recognize the hazards or risks. The toy contains small parts – choking hazards. It is absolutely necessary to instruct children about the appropriate use of toy and choking hazard prior first play. The children shall not put toy or toy's articles into mouth. In addition, mouth contact is not hygiene.

When the play is finished, the adult shall collect the parts of toy and store them into the original cartoon and secure the cartoon to the place where the children or handicapped persons cannot reach it. Do not step onto the toy. Do not expose to fire, oil, fluids or foodstuffs. Dirty parts shall be cleaned with pure water or wet clean textile only. Do not use any solvents of aggressive cleaning agents.

Damaged toy parts may have sharp edges. Do not use toy with sharp edges. Ask your distributor for new toy or replacements.

Plastic bag shall be immediately removed from the children reachable areas – suffocation hazard.